

# Addax Cooling Tower Backstop

## PRODUCT & INSTALLATION GUIDE



OUR INNOVATION MOVES

### OVERVIEW

The Addax® Cooling Tower Backstop is designed for cooling tower and industrial fan applications to prevent reverse rotation when the equipment is not in operation. The uniquely weighted, spring-loaded pawl design permits free rotation in the motor driven direction, while preventing fan windmilling in the reverse direction which could result in costly damage to the connected equipment.

### SELECTION AND RETROFITTING

The Addax Cooling Tower Backstop is sized according to the corresponding Addax coupling size. Addax hubs can be supplied by Rexnord with the mounting bolt holes pre-drilled for easy installation. Backstop assemblies can also be retrofitted to bolt to non-Addax coupling hubs, or Addax coupling hubs already in application using the dimensions provided in the table below. Sizes 350 to 650 will require an "Oversized" hub to accommodate the bolt circle diameter of the backstop, while size 850 uses a "Standard" hub style.

### INSTALLATION

The Addax Cooling Tower Backstop can be mounted on the backside of the motor hub or gear drive hub. Rexnord offers CTA Stop Post Assemblies that mount directly to Falk CT Series gear drives by use of the foot mounting bolt holes. Table 1 lists the part numbers for the CTA Stop Post Assemblies to be used with Falk CT Series gear drive.

When retrofitting into an existing cooling tower application, it is recommended to mount the backstop post to the torque tube using structural steel.

**TABLE 1 – CTA Stop Post Assemblies**

Gear Drive Size	Part Number
2255	10787845
2275	10788006
2310	10781127
2350	10788007

### STEPS

1. Determine the shaft rotation direction.
2. With the coupling hub disconnected from the disc pack, place the hub flange face down on a table and position the backstop over the hub body in accordance to the desired shaft rotation.
3. Align the holes in the backstop with the tapped holes on the hub body.
4. Insert and tighten the (4) cap screws provided with the backstop to the specified torque rating in Table 2.
5. Reinstall the hub onto the motor or gear drive shaft, ensuring the backstop pawls are center aligned and engage 3/16" with the backstop post.

### Applications:

- Cooling Towers
- Industrial Fans

### Highlights:

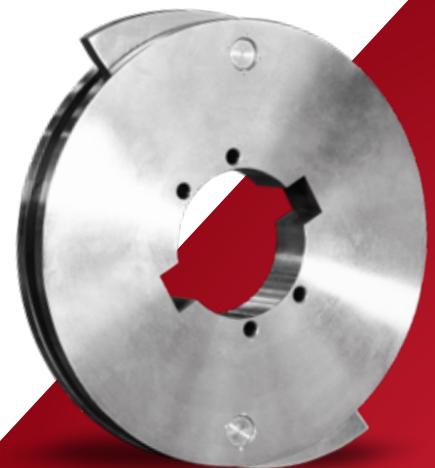
- Prevents reverse shaft rotation of motor driven fans
- All stainless-steel construction
- Easily retrofit with existing couplings
- Available in sizes for most applications

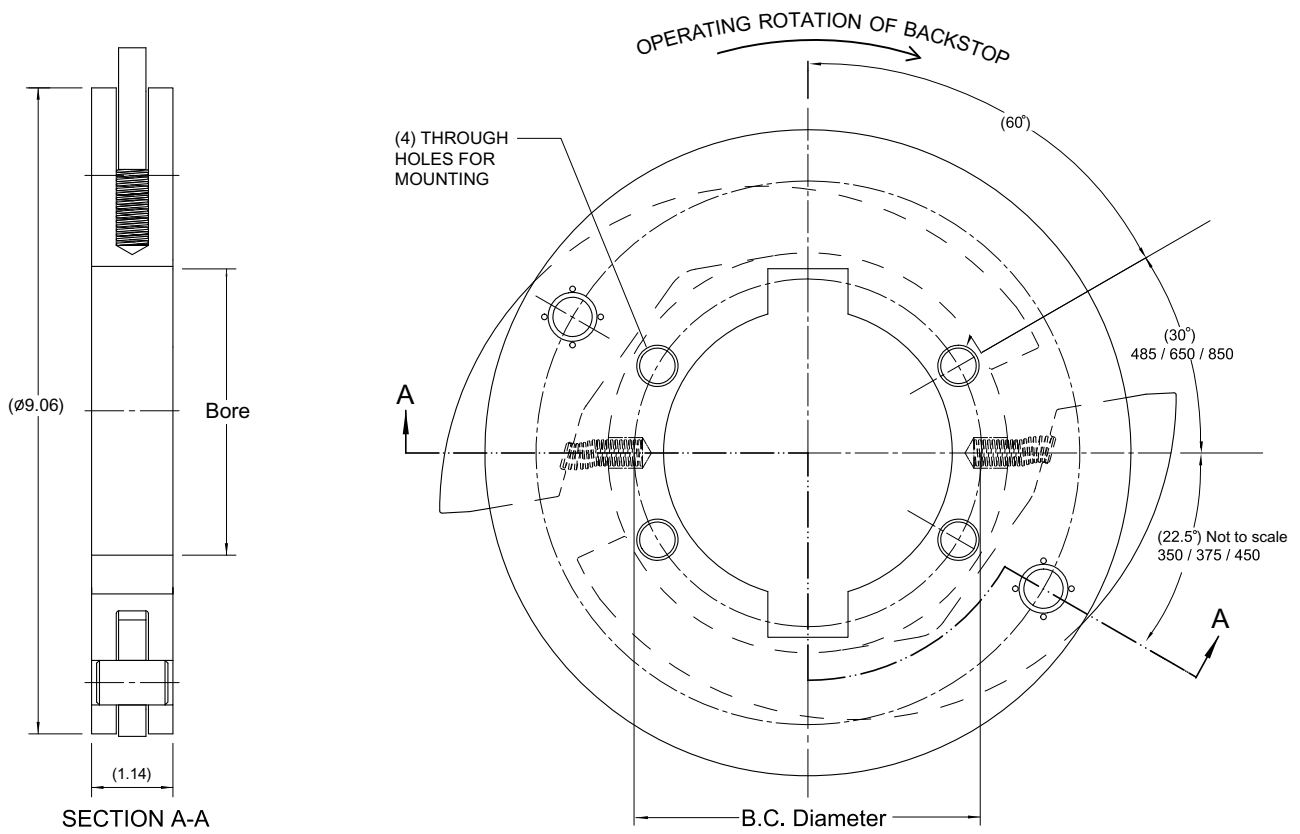
### Worldwide Support:

1-866-Rexnord

PTCustomerCare@Rexnord.com

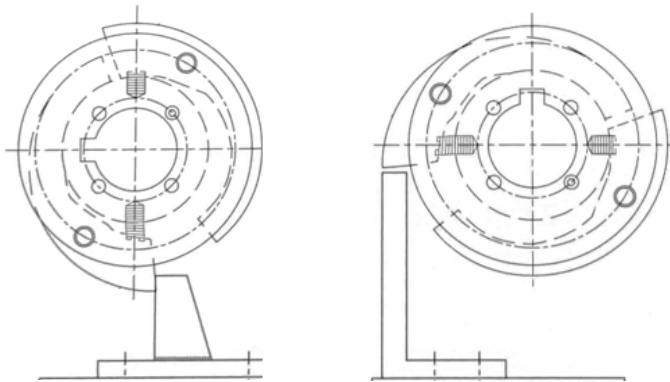
[www.Rexnord.com/contact/worldwide-locations](http://www.Rexnord.com/contact/worldwide-locations)





**TABLE 2 – Addax Cooling Tower Backstop Dimensions**

Size	Bore	Mating Hub Backstop Bolting Information			Pawl Diameter		Required Speed for Compression	Part Number	Hub Style
		B.C. Diameter	Capscrew Size	Tightening Torque	Compressed	Sprung			
350/375/450	3.02 in	3-1/2 in	5/16-18NC X 1.75	195 lb-in	9-3/16 in	10-9/16 in	400 RPM	10299610	Oversized
485	3.44 in	4-1/16 in	5/16-18NC X 1.75	195 lb-in				10299611	Oversized
650	4.05 in	4-5/8 in	3/8-16NC X 1.75	300 lb-in				10299612	Oversized
850	4.05 in	4-7/8 in	1/2-13NC X 2.00	750 lb-in				10299613	Standard



**Backstop Post Mounting Examples**

**Notes:**

1. Backstops are supplied with (4) hex head capscrews
2. Backstop may be inversely mounted for opposite rotation.



[www.rexnord.com/contact](http://www.rexnord.com/contact)

866-REXNORD/866-739-6673 (Within the U.S.) or 414-643-2366 (Outside the U.S.)

